



**REPAIR
PARTS
LIST**

Model No.(s)

**110.20022013
(White)**

**To Call
Toll Free
For Parts:**

**1-800-366-PART
(1-800-366-7278)**

For Service:

**1-800-4-MY-HOME
(1-800-469-4663)**



AUTOMATIC WASHER

The model number of your automatic washer is found on the serial plate located at the rear center of the lid well.

All repair parts listed are available for immediate purchase or special order when you visit your nearest Sears Service Center, or the Service Department at most Sears stores. To order parts by phone, call the toll free parts number listed to the left.

When requesting service or ordering parts, always provide the following information:

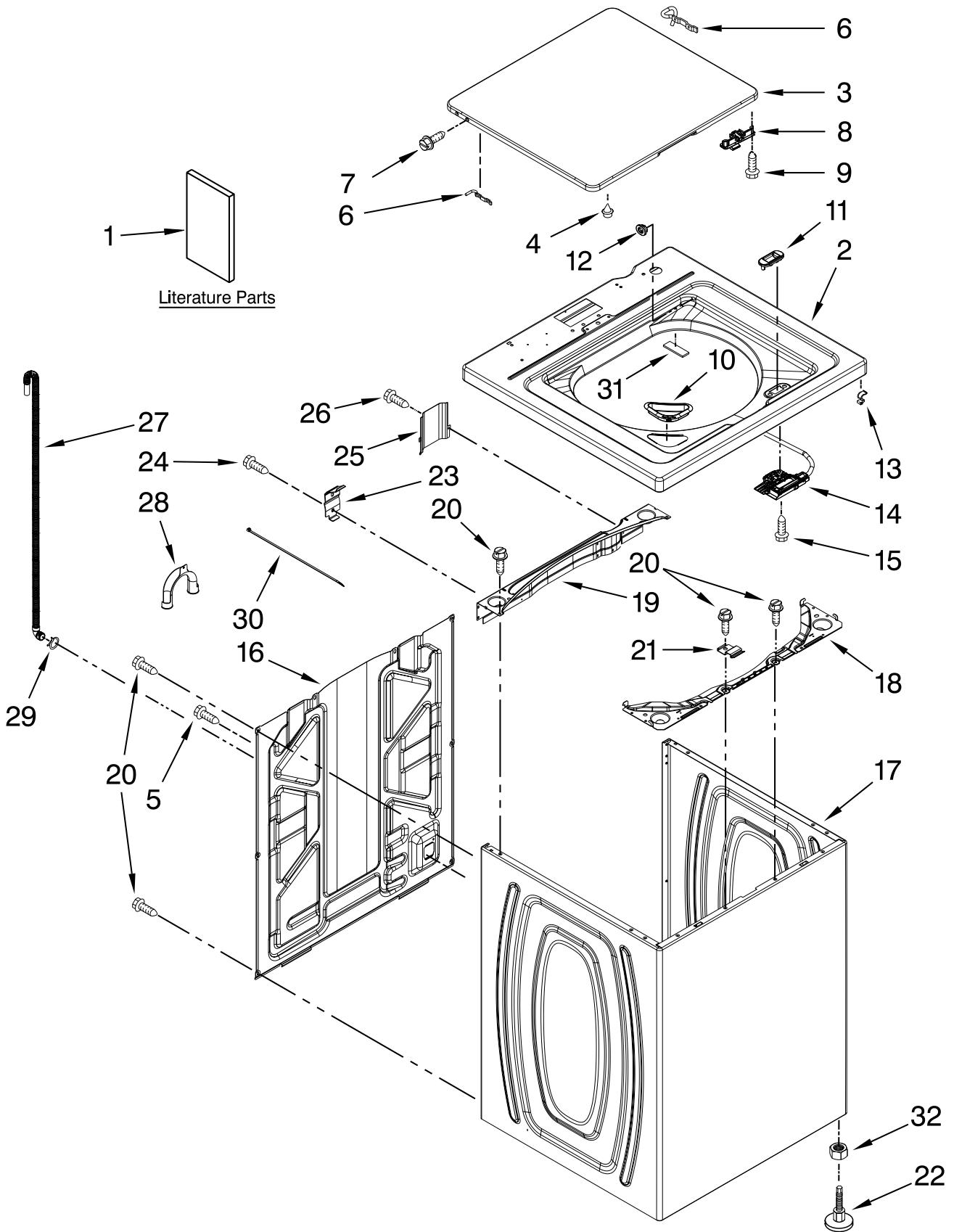
- ◆ Product Type
- ◆ Part Number
- ◆ Model Number
- ◆ Part Description

Sears Brands Management Corporation, Hoffman Estates, IL 60179

TOP AND CABINET PARTS

For Model: 110.20022013

(White)



TOP AND CABINET PARTS

For Model: 110.20022013

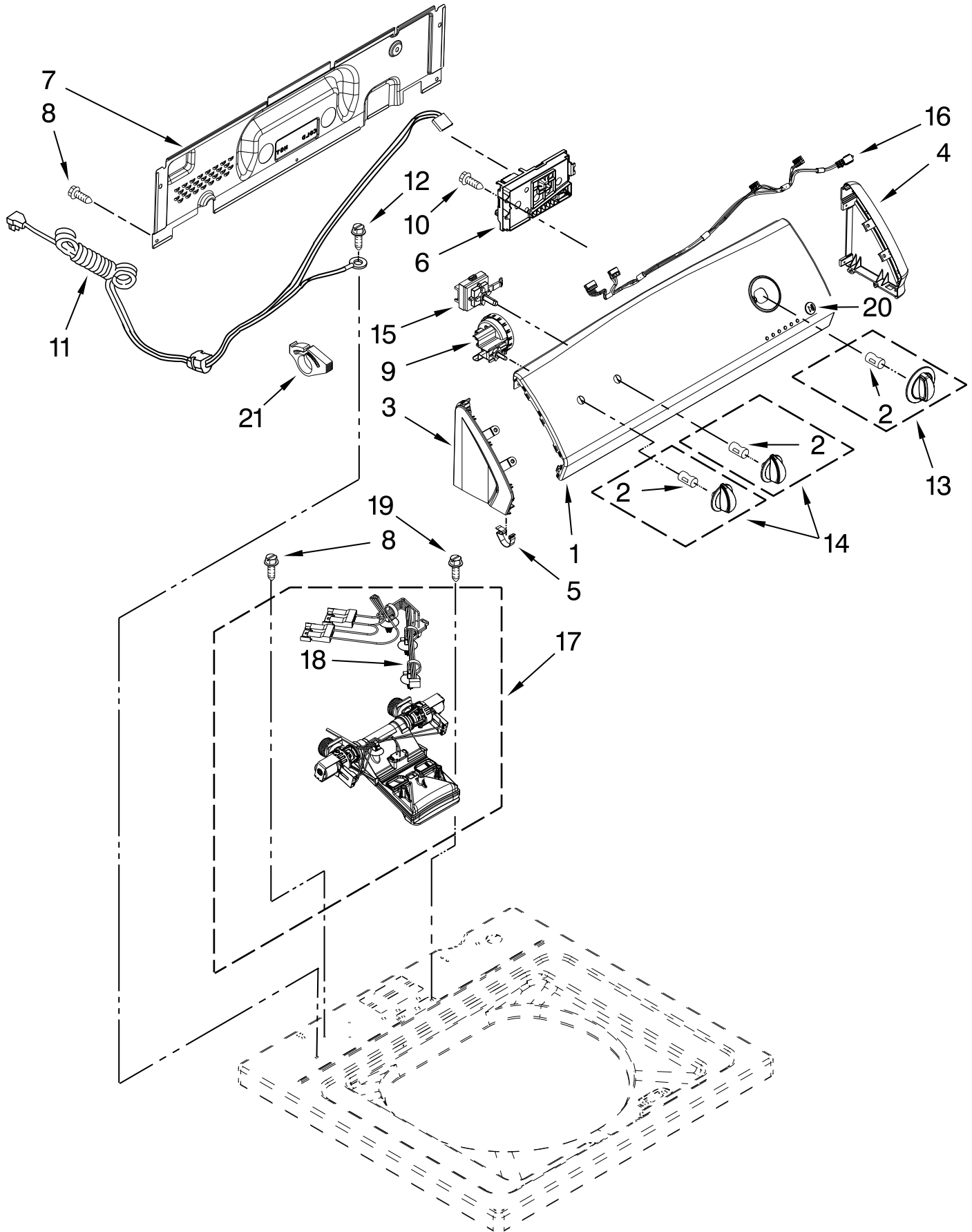
(White)

Illus. No.	Part No.	DESCRIPTION
1		Literature Parts
	W10280537	Installation Instructions
	W10280511	Use & Care Guide
	W10468340	Tech Sheet
	W10062939	Energy Guide
2	W10251299	Top
3	W10251302	Lid (Includes Item 4)
4	9724509	Bumper, Lid
5	9740848	Screw
6		Hinge, Lid
	91770	Left
	54583	Right
7	W10119872	Screw, Lid Hinge
8	W10240513	Strike, Lid Lock
9	W10273971	Screw
10	W10192089	Dispenser, Bleach
11	W10392041	Bezel, Lid Lock
12	21258	Bearing, Lid Hinge
13	90016	Clip, Lid Lock Harness
14	W10238287	Latch, Lid Lock Assembly
15	8281163	Screw
16	W10250884	Panel, Rear
17	W10251994	Cabinet (Includes Item 22)
18	W10215098	Brace, Cabinet Top – Front
19	W10215099	Brace, Cabinet Top – Rear
20	1157158	Screw
21	W10248088	Lock, Top
22	W10397767	Foot Assembly, Leveling
23	W10215102	Hinge, Top
24	W10142728	Screw
25	W10215139	Cover, Harness
26	3400076	Screw
27	W10221546	Hose, Outer Drain Assembly (Includes Items 28 & 29)
28	W10280024	U-Bend, Drain Hose
29	356138	Clamp, Hose
30	W10339879	Cable Tie
31	W10332870	Pad, Lid Hinge
32	3359452	Nut, Locking

CONTROLS AND WATER INLET PARTS

For Model: 110.20022013

(White)



CONTROLS AND WATER INLET PARTS

For Model: 110.20022013

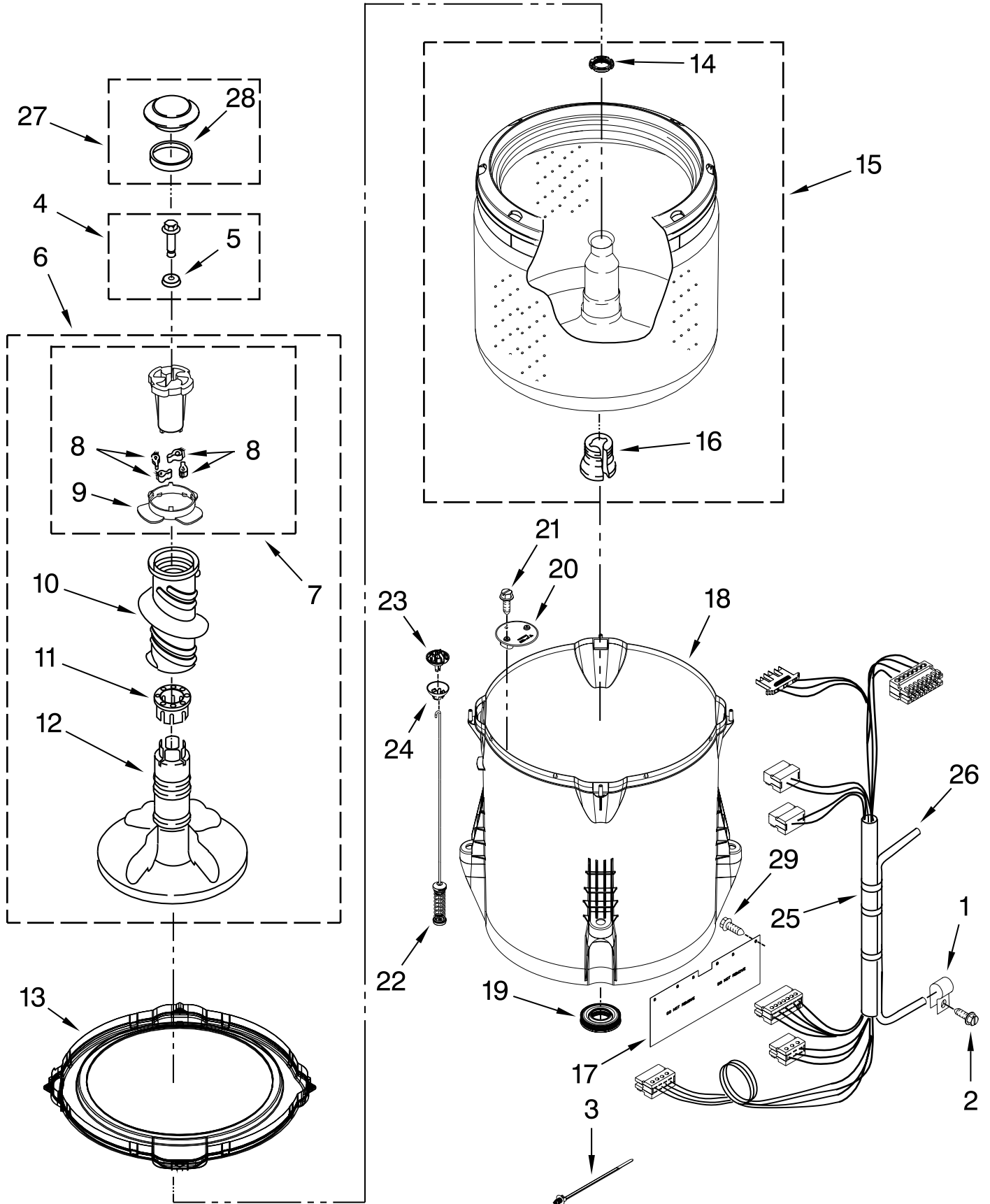
(White)

Illus. No.	Part No.	DESCRIPTION
1	W10338635	Panel, Console
2	8536939	Clip, Knob
3	W10251358	Cap, End (L.H.) (Includes Item 5)
4	W10251355	Cap, End (R.H.) (Includes Item 5)
5	8312709	Clip, Console
6	W10480169	Control Unit Assembly, Machine & Motor
7	W10461159	Panel, Console Rear Cover
8	1157158	Screw
9	W10268911	Switch, Pressure
10	90767	Screw
11	W10276649	Cord, Power
12	3400076	Screw
13	W10327522	Knob, Timer
14	W10327523	Knob, Control
15	W10285512	Switch, Rotary Encoder
16	W10291178	Harness, Upper
17	W10423125	Inlet Assembly, Water
18	W10423127	Harness, Valve
19	8281163	Screw
20	W10251309	Pushbutton, Start
21	W10348582	Clamp

BASKET AND TUB PARTS

For Model: 110.20022013

(White)



BASKET AND TUB PARTS

For Model: 110.20022013

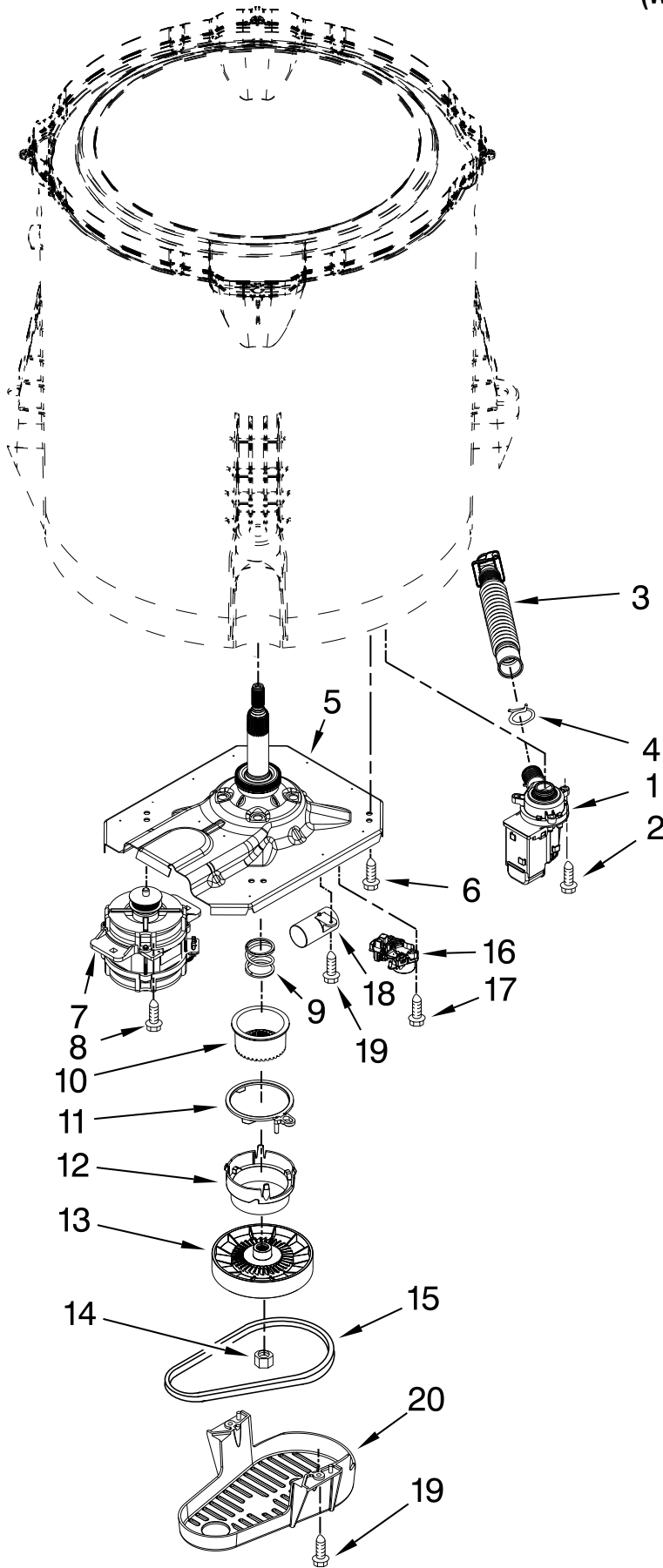
(White)

Illus. No.	Part No.	DESCRIPTION
1	W10005430	Clamp, Pressure Hose Retainer
2	8533943	Screw
3	W10298887	Cable Tie
4	W10003790	Screw & Washer Assembly
5	3949550	Washer
6	3361598	Agitator, Complete Assembly
7	3363662	Cam, Driven
8	3366877	Dog, Agitator Clutch
9	3363661	Bearing, Cam
10	3360824	Auger Agitator
11	3350389	Spacer, Thrust
12	389386	Agitator
13	W10215107	Ring, Tub
14	21366	Nut, Spanner
15	W10358261	Basket Assembly
16	389140	Block, Basket Drive
17	W10339098	Shield, Splash
18	W10238320	Tub (Includes Item 19)
19	W10006371	Seal, Tub
20	W10215093	Filter, Drain Pump
21	8533928	Screw
22	W10257088	Damper Assembly, Tub Suspension (Set Of 4–Includes Items 23 & 24)
23	W10405423	Ball, Suspension (Set Of 4 – Includes Item 24)
24	W10256551	Bushing, Suspension (Set Of 4 – Includes Item 23)
25	W10376574	Harness, Lower (Includes Items 3 & 26)
26	W10297436	Hose, Pressure Switch
27	63973	Cap, Agitator
28	358912	Seal, Agitator Cap
29	W10429200	Retainer, Push In

GEARCASE, MOTOR AND PUMP PARTS

For Model: 110.20022013

(White)



Illus. No.	Part No.	DESCRIPTION
1	W10276397	Pump Assembly, Drain
2	W10004910	Screw
3	W10215091	Hose, Inner Drain Assembly
4	8317496	Clamp, Hose
5	W10473144	Gearcase Assembly
6	W10249633	Screw
7	W10416654	Motor, Drive
8	W10094780	Screw
9	W10006382	Spring, Splutch (Includes Items 10, 11, 12 & 13)
10	W10006352	Slider, Splutch (Includes Items 9, 11, 12 & 13)
11	W10006353	Cam Ring, Splutch (Includes Items 9, 10, 12 & 13)
12	W10006354	Cam, Splutch (Includes Items 9, 10, 11 & 13)
13	W10006356	Pulley
14	W10163336	Nut, Pulley
15	W10006384	Belt, Drive
16	W10006355	Actuator, Shift
17	9741052	Screw
18	W10390451	Capacitor, Motor Run
19	357640	Screw
20	W10427633	Shield, Pulley Cover

OPTIONAL PARTS (NOT INCLUDED)

For Model: 110.20022013

(White)

Illus. No.	Part No.	DESCRIPTION
<u>PAINT, TOUCH-UP (1/2oz.)</u>		
	72017	White
<u>PAINT, PRESSURIZED SPRAY (12 oz.)</u>		
	350938	Primer, Gray
	350930	White
<u>PAINT, BULK (1 qt.)</u>		
	799344	White (Uncut)

Illus. No.	Part No.	DESCRIPTION
<u>WATER SYSTEM PARTS</u>		
	285835	Connector Kit, 4" Hose With Clamp
	285863	Hose Extension – 4 Foot With Clamp
	285834	Siphon Break Kit
	367031	Drain Protector
	3363920	Adapter, Standpipe 2" Diameter to 1" Diameter
<u>SEALER</u>		
	285195	Sealer, Gasket (.20 Fl. Oz.) (6 ml)
<u>COUPLING</u>		
	384496	Coupling, Hose

Illus. No.	Part No.	DESCRIPTION
<u>ACCESSORY PARTS</u>		
	W10355010	All Purpose Appliance Cleaner
	8212546RP	Inlet Hoses, 4 Ft. (Two Black Hoses W/Straight Ends & 4 Rubber Washers)
	8212641RP	Inlet Hoses, 5 Ft. (Two Black Hoses W/Straight Ends & 4 Rubber Washers)
	8212545RP	Inlet Hoses, 5 Ft. (One Red Hose & One Blue Hose W/Straight Ends & 4 Rubber Washers)
	8212487RP	Inlet Hoses, 5 Ft. (Two Braided Hoses W/Straight Ends & 4 Rubber Washers)
	8212637RP	Inlet Hoses, 6 Ft. (Two Black Hoses W/ One Straight End & One 90 Degree End & 4 Rubber Washers)
	8212638RP	Inlet Hoses, 6 Ft. (Two Braided Hoses W/ One Straight End & One 90 Degree End & 4 Rubber Washers)
	8212656RP	Inlet Hoses, 10 Ft (Two Black Hoses W/ Straight Ends & 4 Rubber Washers)
	285448A	Hose Washers (Package of 4) Tub Centering
	285452A	Hose Screen (Package of 2)
	8212526	Washer Drip Tray
	W10135699	Affresh Odor Remover